

APPLICATION:

PRODUCT NAME:
 WIDESPREAD DECK FAUCET

JOB NAME:

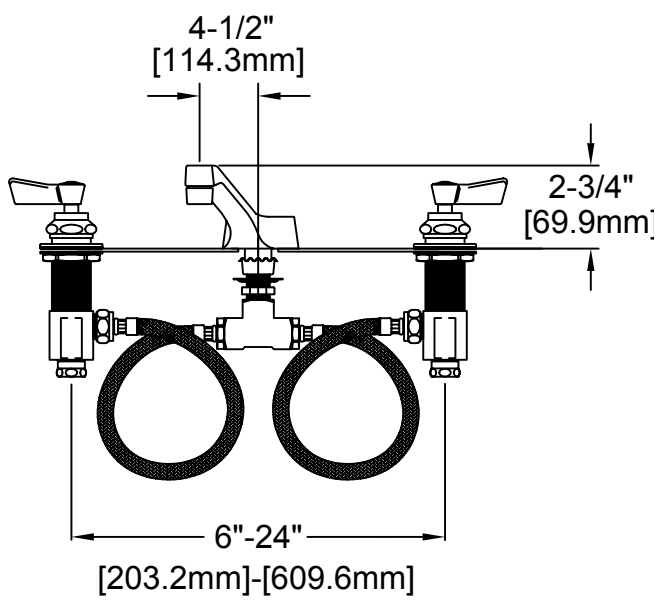
SPECIAL CONFIGURATION
 CHECK BASE MODEL AND OPTIONS

QUANTITY:

ITEM NO.

MODEL:
 1773-1

OPTIONS OR MODIFICATIONS:
 SUPPLY LINES (24" OR 36") CIRCLE LENGTH
 VANDAL RESISTANT KIT
 HANDLES (CROSS OR WRIST) CIRCLE STYLE
 OTHER _____

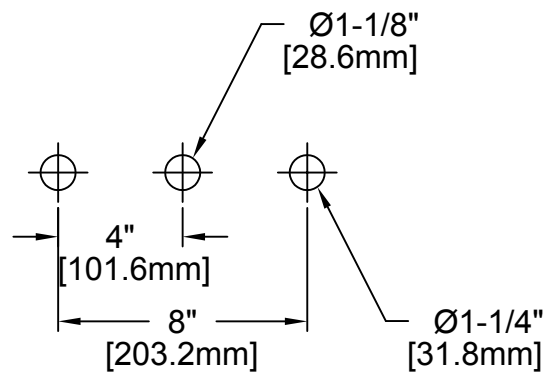


FEATURES:
 * WIDESPREAD DECK ADJUST FROM 6" TO 24"
 * SWIVELLING SEAT DISKS
 * HOT SIDE STEM - RIGHT HAND
 * COLD SIDE STEM - LEFT HAND
 * STAINLESS STEEL SEATS
 * STAINLESS STEEL SEAT SCREWS
 * STAINLESS STEEL HANDLE SCREWS

SYSTEM LIMITS
 * TEMP: 40°F MIN. TO 140°F MAX.
 * PRESSURE 200 PSI MAX. STATIC
 * 2.20 GPM AT 80 PSI

SHIPPING WEIGHT
 * 8.0 LBS

ROUGH-IN:



FISHER
 FISHER MANUFACTURING COMPANY
 TOLL FREE: 800-421-6162 - FAX: 800-832-8238
 information@fisher-mfg.com - www.fisher-mfg.com